

ASSEMBLY INSTRUCTION

GANT

MODEL: GANT QUEEN BED

Read this instruction carefully. See hardware and furniture part list for guidance. Be sure all part is complete, before you assemble. Place all wooden furniture part on a clean and flat soft surface to prevent from being scratched. Follow the figure to start assembling.



CAUTION

1. Do not FULLY-TIGHTEN the nut or bolt until all nut or nut bolt is ready to assembled.
2. Do not OVER-TIGHTEN the nut or nut bolt to avoid causing damages to the thread.
3. Keep all hardware part out of reach of children.

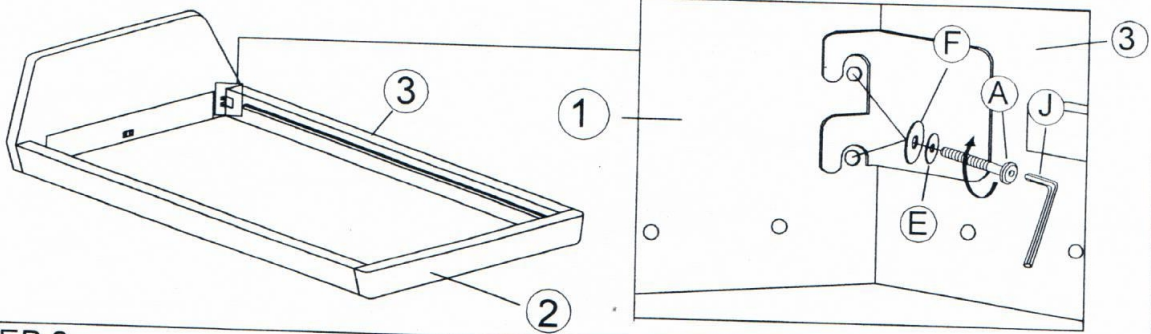
PART LIST - PAGE 1

NO	DESCRIPTION	QTY
1	HEADBOARD	1PC
2	FOOTBOARD	1PC
3	SIDE RAIL	2PCS
4	CENTER RAIL	1PC
5	SUPPORT LEG-LONG	2PCS
6	SUPPORT LEG-SHORT	1PC
7	SLAT	32PCS
8	VERTICAL RAIL	1PC
9	SIDE PLASTIC CAP	32PCS
10	CENTER PLASTIC CAP	16PCS
11	BED LEG	4PCS
12	BED LEG SUPPORT PANEL	4PCS

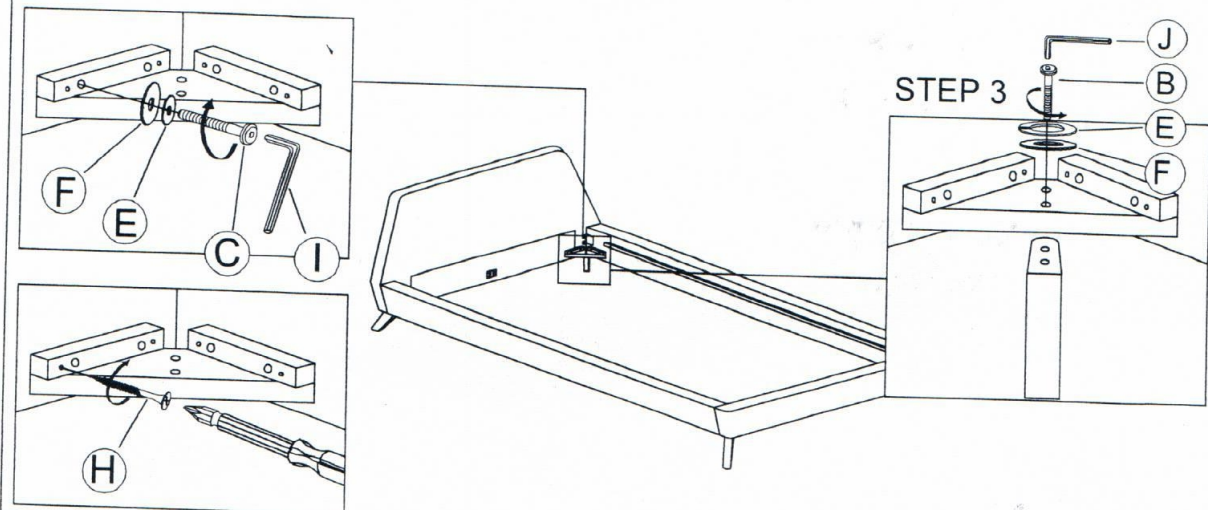
HARDWARE LIST

NO	DESCRIPTION	QTY
A	JCBB M8 X 40MM	8PCS
B	JCBB M8 X 50MM	8PCS
C	JCBC M6 X 50MM	20PCS
D	JCBC M6 X 70MM	1PC
E	SPRING WASHER 5/16"	37PCS
F	FLAT WASHER 5/16"	32PCS
G	FLAT WASHER 1/4"	5PCS
H	CSK M4 X 38MM	16PCS
I	ALLEN KEY M4	1PC
J	ALLEN KEY M5	1PC

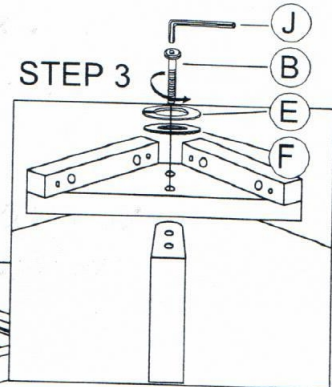
STEP 1



STEP 2

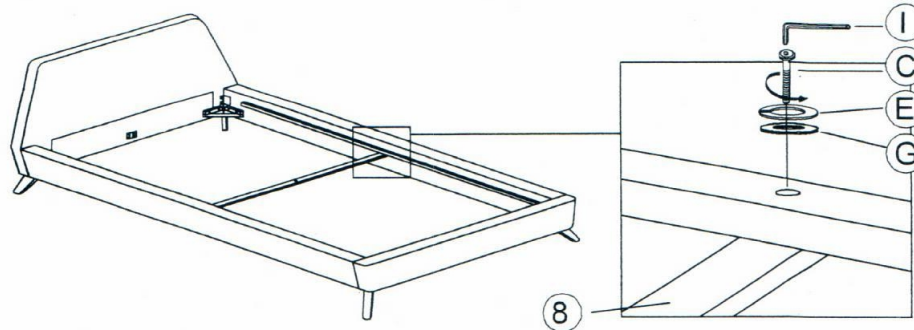


STEP 3

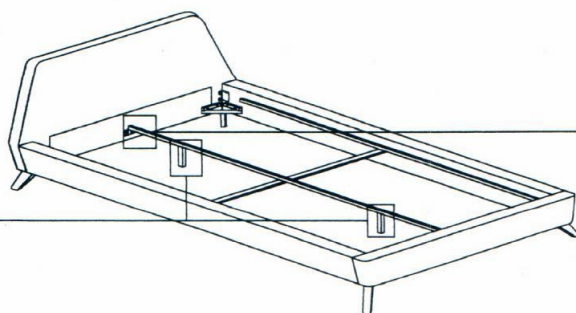
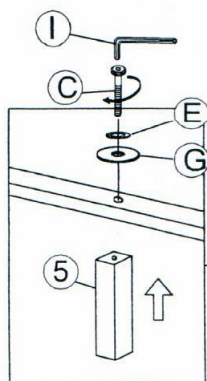


TWAG

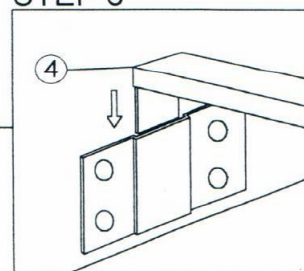
STEP 4



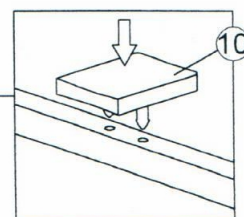
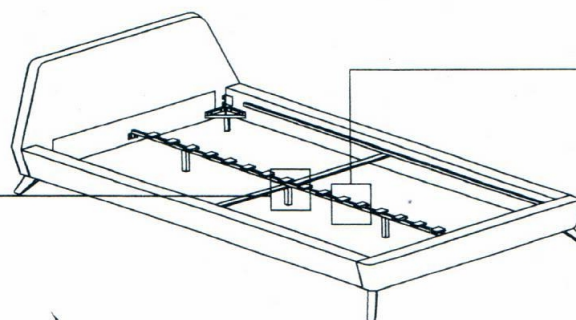
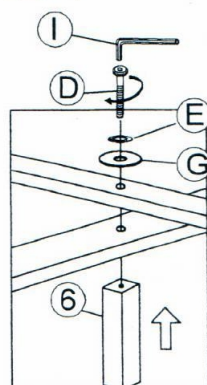
STEP 5



STEP 6

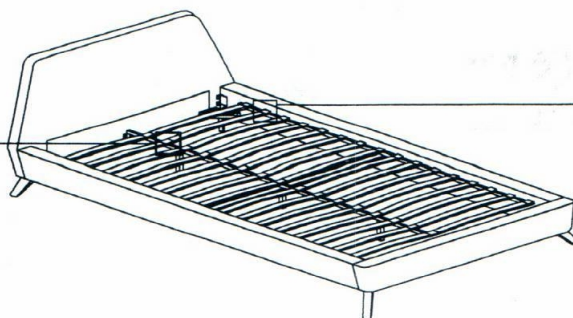
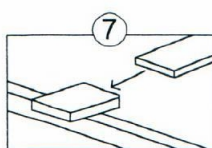


STEP 7



*Do NOT use hammer to hit as this may damage the plastic cap.

STEP 8



STEP 9

